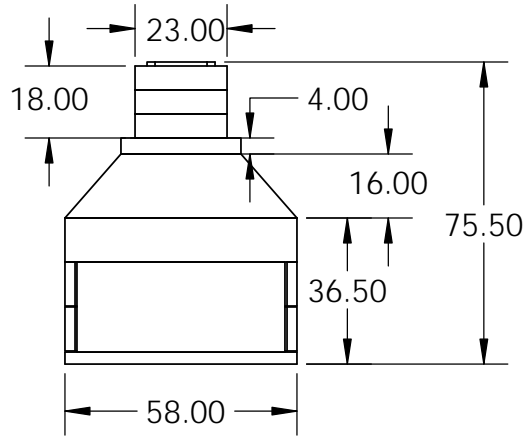
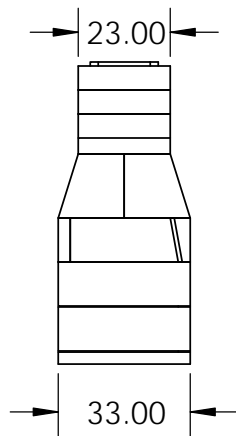


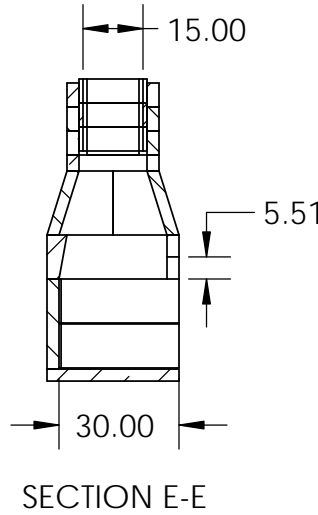
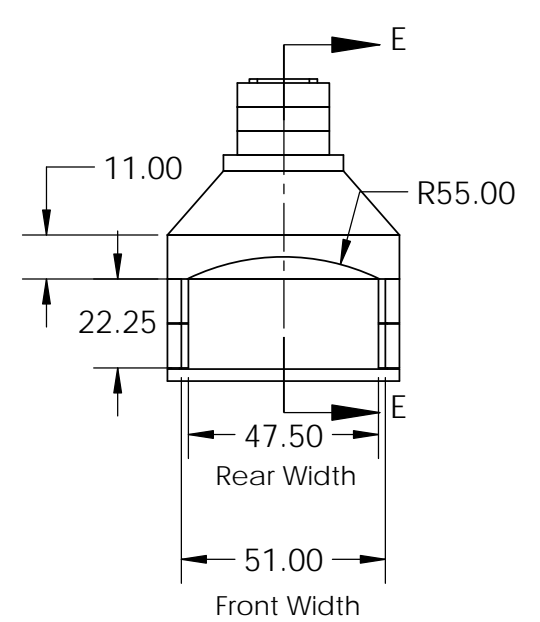
Rear View



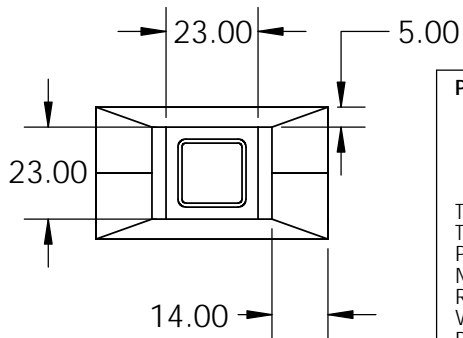
Side View



Front View



Top View



Firebox Widths, without Firebrick

<p>PROPRIETARY AND CONFIDENTIAL</p> <p>THE INFORMATION CONTAINED IN THIS DRAWING IS THE SOLE PROPERTY OF STONE AGE MANUFACTURING, INC. ANY REPRODUCTION, IN PART OR AS A WHOLE, WITHOUT THE WRITTEN PERMISSION OF STONE AGE MANUFACTURING, INC. IS PROHIBITED.</p>	UNLESS OTHERWISE SPECIFIED:		 <p>11107 E 126TH ST. N. Collinsville, OK 74021 918-371-8861</p>			TITLE:		
	DIMENSIONS ARE IN INCHES					48" Contractor Series		
	TWO PLACE DECIMAL ±		MATERIAL	NAME	DATE	SIZE	DWG. NO.	REV
	DO NOT SCALE DRAWING		DRAWN			A	SA-48CN-3V	
		SCALE: 1:48		WEIGHT:		SHEET 1 OF 1		

5

4

3

2

1